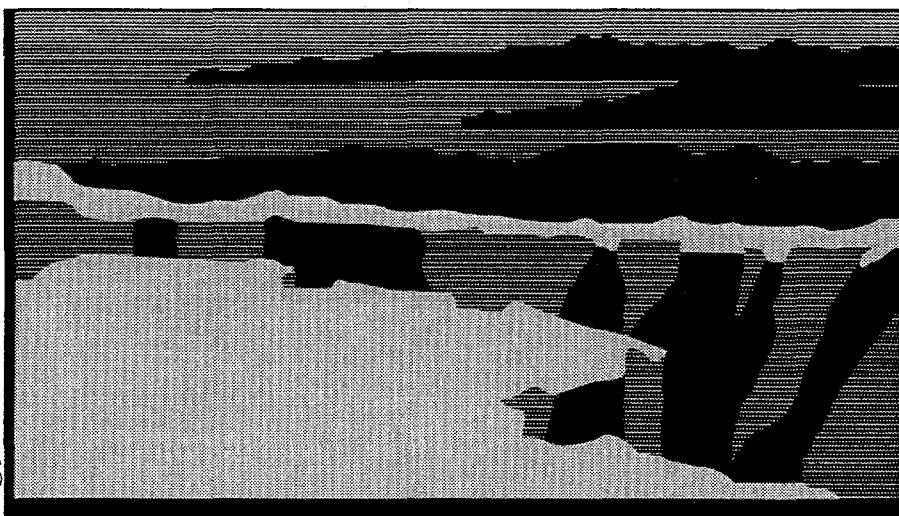


TITLE: STRUCTURAL ANALYSIS OF SUPERCONDUCTING
ACCELERATOR CAVITIES

AUTHOR(S): Dale L. Schrage LANSCE-1

SUBMITTED TO: LINAC 2000 Conference
Monterey, California
August 21-25, 2000

Los Alamos
NATIONAL LABORATORY



Los Alamos National Laboratory, an affirmative action/equal opportunity employer, is operated by the University of California for the U.S. Department of Energy under contract W-7405-ENG-36. By acceptance of this article, the publisher recognizes that the U.S. Government retains a nonexclusive, royalty-free license to publish or reproduce the published form of this contribution, or to allow others to do so, for U.S. Government purposes. The Los Alamos National Laboratory requests that the publisher identify this article as work performed under the auspices of the U.S. Department of Energy.

DISCLAIMER

This report was prepared as an account of work sponsored by an agency of the United States Government. Neither the United States Government nor any agency thereof, nor any of their employees, make any warranty, express or implied, or assumes any legal liability or responsibility for the accuracy, completeness, or usefulness of any information, apparatus, product, or process disclosed, or represents that its use would not infringe privately owned rights. Reference herein to any specific commercial product, process, or service by trade name, trademark, manufacturer, or otherwise does not necessarily constitute or imply its endorsement, recommendation, or favoring by the United States Government or any agency thereof. The views and opinions of authors expressed herein do not necessarily state or reflect those of the United States Government or any agency thereof.

DISCLAIMER

Portions of this document may be illegible in electronic image products. Images are produced from the best available original document.

STRUCTURAL ANALYSIS OF SUPERCONDUCTING ACCELERATOR CAVITIES *

D. Schrage, LANL, Los Alamos, N.M., USA

Abstract

The static and dynamic structural behavior of superconducting cavities for various projects was determined by finite element structural analysis. The $\beta = 0.61$ cavity shape for the Neutron Science Project was studied in detail and found to meet all design requirements if fabricated from five millimeter thick material with a single annular stiffener. This 600 MHz cavity will have a Lorentz coefficient of $-1.8 \text{ Hz}/(\text{Mv}/\text{meter})^2$ and a lowest structural resonance of more than 100 Hz.

Cavities at $\beta = 0.48, 0.61,$ and 0.77 were analyzed for a Neutron Science Project concept which would incorporate 7-cell cavities. The medium and high beta cavities were found to meet all criteria but it was not possible to generate a $\beta = 0.48$ cavity with a Lorentz coefficient of less than $-3 \text{ Hz}/(\text{Mv}/\text{meter})^2$.

1 INTRODUCTION

There are quite a few accelerator projects underway for which elliptical superconducting cavities are planned. This paper documents structural analysis of $\beta < 1$ superconducting cavities for the Neutron Science Project of JAERI [1] and includes consideration of Lorentz force detuning, cavity fabrication, vacuum loading, tuning forces, and mechanical resonant frequencies.

2 TECHNICAL CONSIDERATIONS

While each accelerator has specific technical requirements with regard to the values of β , the number of cells, and the bore sizes of the cavities, there are some other physics and engineering considerations that must be included in the design of the cavities. Some of these parameters, the peak electric and magnetic surface fields along with the bore radius, affect the performance of the cavities. Other parameters, such as the material thickness and the wall slope, are related to the practical matter of manufacture of the cavities. Lastly, the presence or absence of annular stiffeners has a significant effect upon the Lorentz for RF detuning, the mechanical resonant frequencies, and the tuning forces. A detailed discussion of this is given in References 2 and 3.

The parameters are listed in Table 1. The value selected for $B_{\text{peak}}/E_{\text{peak}}$ is arguable and some organisations would suggest that a higher value would be more suitable if it

resulted in a lower peak electric field. Indeed, all of the values are to some extent arbitrary; they are certainly not absolute. However, they do serve as guidelines for preliminary design of cavities.

Table 1: Cavity Design Parameters

PARAMETER	ALLOWABLE VALUES
Peak Electric Field	$E_{\text{peak}}/E_a = \text{minimum}$
Peak Magnetic Field	$B_{\text{peak}}/E_{\text{peak}} \sim 1.71$ $\text{mT}/(\text{Mv}/\text{meter})$
Fabrication	$R_{\text{min}} > 2 * \text{thickness}$
BCP Cleaning	$\text{Slope} \geq 6^\circ$
Mech. Resonances	$\omega_i > 60 \text{ Hz}$
Radiation Pressure	$ k < 2.0 \text{ Hz}/(\text{Mv}/\text{meter})^2$
Tuning Sensitivity	$< 5.0 \text{ \#}/\text{kHz}$
Vacuum Loading	$\sigma_{\text{von-Mises}} < 3,500 \text{ \#}/\text{in}^2$

3 STATIC ANALYSIS OF CAVITIES

Three cavity mid-cell shapes were analysed: $\beta = 0.48, 0.61,$ and 0.77 . These were obtained from Reference 4 and are shown on Figure 1. A $\beta = 1$ cross-section is shown for reference.

The structural analysis was carried out using COSMOS/MTM[5]. Two-dimensional axi-symmetric elements were used for the analysis of half-cells to determine the tuning forces plus the deflections, stresses and frequency shifts under vacuum load and Lorentz pressure. The frequency shifts were determined from the output of SUPERFISH [6].

The main consideration was the Lorentz force detuning. The analyses were performed for various stiffener ring radii. The results for the $\beta = 0.61$ cavity are shown on Figure 2 for material thicknesses of 3, 4, and 5 mm. The results are similar for the other two cavities. Without annular stiffeners none of the cavity shapes will satisfy the requirement that the Lorentz detuning coefficient of the cavity be less than $-3 \text{ Hz}/(\text{Mv}/\text{meter})^2$. However, for the $\beta = 0.61$ with the 4 mm thickness, the curve is quite flat so the selection of the 7 inch stiffener radius is not rigid.

Some cases were run with two stiffener rings but these resulted in unacceptably high tuning forces. Use of two stiffener rings would also increase fabrication costs.

RECEIVED

DEC 13 2000

OSTI

* Work sponsored by the Japan Atomic Energy Research Institute under contract DE-FI04-91AL73477-A012

The results for the three cavities are listed on Table 2. The $\beta = 0.48$ cavity does not meet the fabrication criteria ($R_{min} > 2.0*t$) and has a Lorentz coefficient that is greater than the specified value. However, with the lower- β cavities operated at lower gradient (the requirement is that $E_{peak} < 16.0$ Mvolt/meter [1]) this may be acceptable. At this peak electric field, the accelerating field is only 3.7 Mvolt/meter and the Lorentz detuning is reduced to 1/8th the value at $E_a = 10$ Mvolt/meter.

Table 2: Static Analysis Results for Stiffened Cavities

	$\beta = 0.48$	$\beta = 0.61$	$\beta = 0.77$
Thickness, mm	5.0	4.0	4.0
R_{min}	1.4*t	4.0*t	3.5*t
k Mvolt/m ²	-3.3	-1.8	-0.9
Tuning #/kHz	1.06	0.97	1.78
Vac. Stress #/in ²	3496	3811	2896

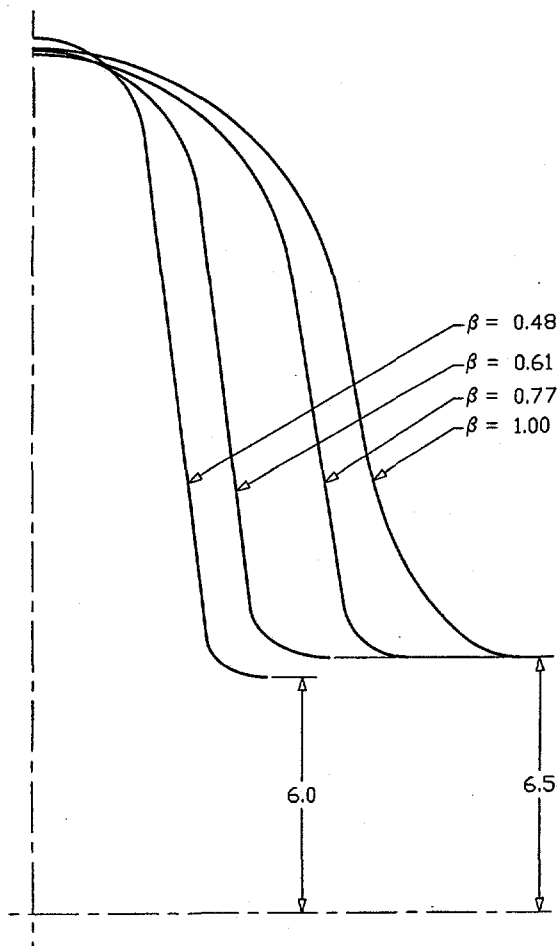


Figure 1: Cavity Cross-Sections

The deformation of the $\beta = 0.48$ cavity under Lorentz pressure resulting from an accelerating gradient of 10 Mvolt/meter is shown on Figure 3. The Lorentz pressures are quite low with the maximum being 0.48 #/in². The axial deformations are similarly low; the maximum is 6.7×10^{-6} inch. This corresponds to a frequency shift of -330 Hz.

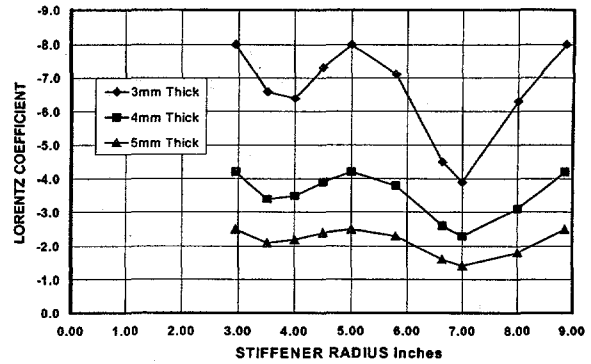


Figure 2: Effect of Stiffener Radius and Material Thickness for $\beta = 0.61$ Cavity

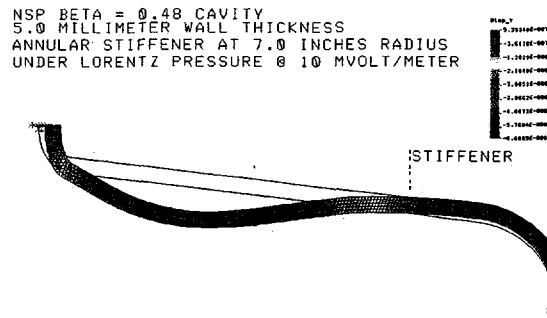


Figure 3: Lorentz Pressure Deformation for $\beta = 0.48$ Cavity

Three-dimensional finite element models were used to determine the gravity deformations of the complete 5-cell and 7-cell cavities. These analyses were run using COSMOS/M with three-node shell elements. The weights and mid-length transverse deflections of the cavities are listed on Tables 3 and 4. The presence of the stiffeners produces a significant reduction of the deflection.

Table 3: Static Deflections of 7-Cell Cavities

	$\beta = 0.48$ 5 mm Thick	$\beta = 0.61$ 4 mm Thick	$\beta = 0.77$ 4 mm Thick
Un-Stiffened			
Wt (#)	237.	195.	211.
Disp. (in)	0.01474	0.01537	0.02854
Stiffened			
Wt (#)	278.	232.	251.
Disp. (in)	0.00059	0.00047	0.00061

Table 4: Static Deflections of 5-Cell Cavities

	$\beta = 0.48$ 5 mm Thick	$\beta = 0.61$ 4 mm Thick	$\beta = 0.77$ 4 mm Thick
Un-Stiffened			
Wt (#)	169.	139.	151.
Disp. (in)	0.00395	0.00622	0.00778
Stiffened			
Wt (#)	199.	166.	179.
Disp. (in)	0.00017	0.00020	0.00019

4 DYNAMIC ANALYSIS OF CAVITIES

The three-dimensional finite element models described in the previous paragraph were used to determine the mechanical resonant frequencies. A cross-section of a 5-cell, un-stiffened $\beta = 0.61$ cavity is shown on Figure 5 and the results for 5-cell and 7-cell cavities are listed on Tables 5 and 6 respectively. For these cases, the irises of the end-cells were held rigidly fixed in all coordinates. Use of other boundary conditions would have resulted in lower frequencies.

NSP BETA = 0.61 5-CELL CAVITY
LOWEST MODE 40 HZ

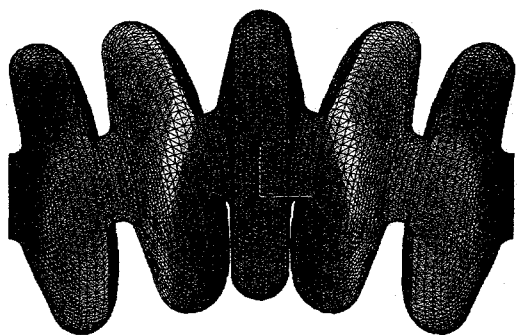


Figure 5: Lowest Mode of $\beta = 0.61$ 5-Cell Cavity

Table 5: Cavity Structural Frequencies of 5-Cell Cavities

CAVITY	WALL THICK mm	UN-STIFFENED CAVITY LOWEST FREQUENCY Hz	STIFFENED CAVITY LOWEST FREQUENCY Hz
$\beta = 0.48$	5.0	47.	181.
$\beta = 0.61$	4.0	40.	217.
$\beta = 0.77$	4.0	37.	251.

Table 6: Cavity Structural Frequencies of 7-Cell Cavities

CAVITY	WALL THICK mm	UN-STIFFENED CAVITY LOWEST FREQUENCY Hz	STIFFENED CAVITY LOWEST FREQUENCY Hz
$\beta = 0.48$	5.0	27.	130.
$\beta = 0.61$	4.0	22.	130.
$\beta = 0.77$	4.0	20.	142.

Past experiments [7] have shown good agreement of measured mechanical resonant frequencies with the predicted values. It is important to note that the analyses were run for simple cavities; there were no beam tubes, power couplers, HOM couplers, etc. included. In addition, there is no consideration of the stiffness of the cavity support structure. Inclusion of any or all of these items will reduce the mechanical resonant frequencies. Thus, the frequencies listed in Tables 5 and 6 must be regarded

as ideal maximums. As in the case of a similar study of the cavities for the APT linac [8], it was found that the annular stiffeners would be required to meet the dynamic requirements, in particular when the effects of the beam tubes, etc. are included.

5 CONCLUSIONS

There are many variables to consider in the design of superconducting cavities. However, in meeting the requirements listed in Table 1, the options diminish rapidly. It is clear that for values of $\beta < 0.5$, the structural design of these cavities is a challenge at 600 MHz. Minimization of the Lorentz force detuning will likely require operation of $\beta < 0.5$ cavities at $E_s < 10$ Mvolt/meter. It is also clear that stiffeners will be required to meet the mechanical resonant frequency requirement.

6 ACKNOWLEDGEMENT

Rick Wood provided the software support for the calculation of the frequency shifts. Jim Billen and Frank Krawczyk provided cavity designs and SUPERFISH runs for these analyses.

REFERENCES

- [1] M. Mizumoto et al., "A Proton Accelerator for the Neutron Science Project at JAERI," 9th Workshop on RF Superconductivity, Santa Fe, November 1999.
- [2] J. Billen, "Superconducting Cavity Design for SNS," LANL Memo LANSCE-1:99-149, August 1999.
- [3] D. Schrage, "Structural Analysis of Superconducting Accelerator Cavities," LANL Technical Report LA-UR:99-5826, November 1999.
- [4] T. Wangler, "A Superconducting Design for the JAERI Neutron Science Project," LANSCE-1:99-193(TN), November 1999.
- [5] Structural Research & Analysis Corporation, <http://www.cosmosm.com/>
- [6] J. Billen & L. Young, "POISSON SUPERFISH," Los Alamos National Laboratory report, LA-UR-96-1834, Revised April 22, 1997.
- [7] G. Ellis & B. Smith, "Modal Survey of Medium Energy Superconducting Radio Frequency Cavity for Accelerator Production of Tritium Project," 9th Workshop on RF Superconductivity, Santa Fe, November 1999.
- [8] D. Schrage et al., "Static & Dynamic Analysis of Superconducting Cavities for a High Performance Proton Linac," 7th Workshop on RF Superconductivity, Saclay, October 1995.