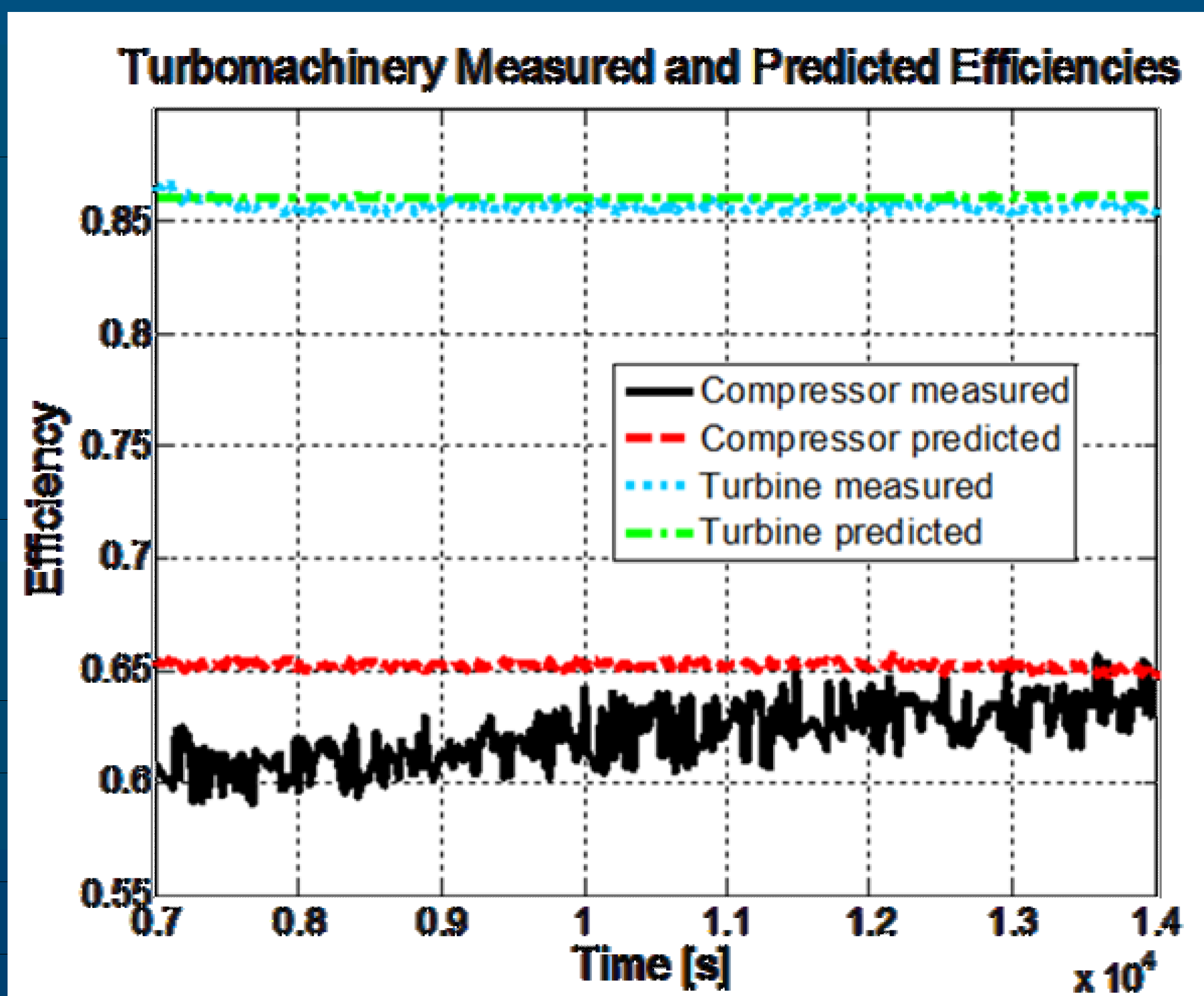
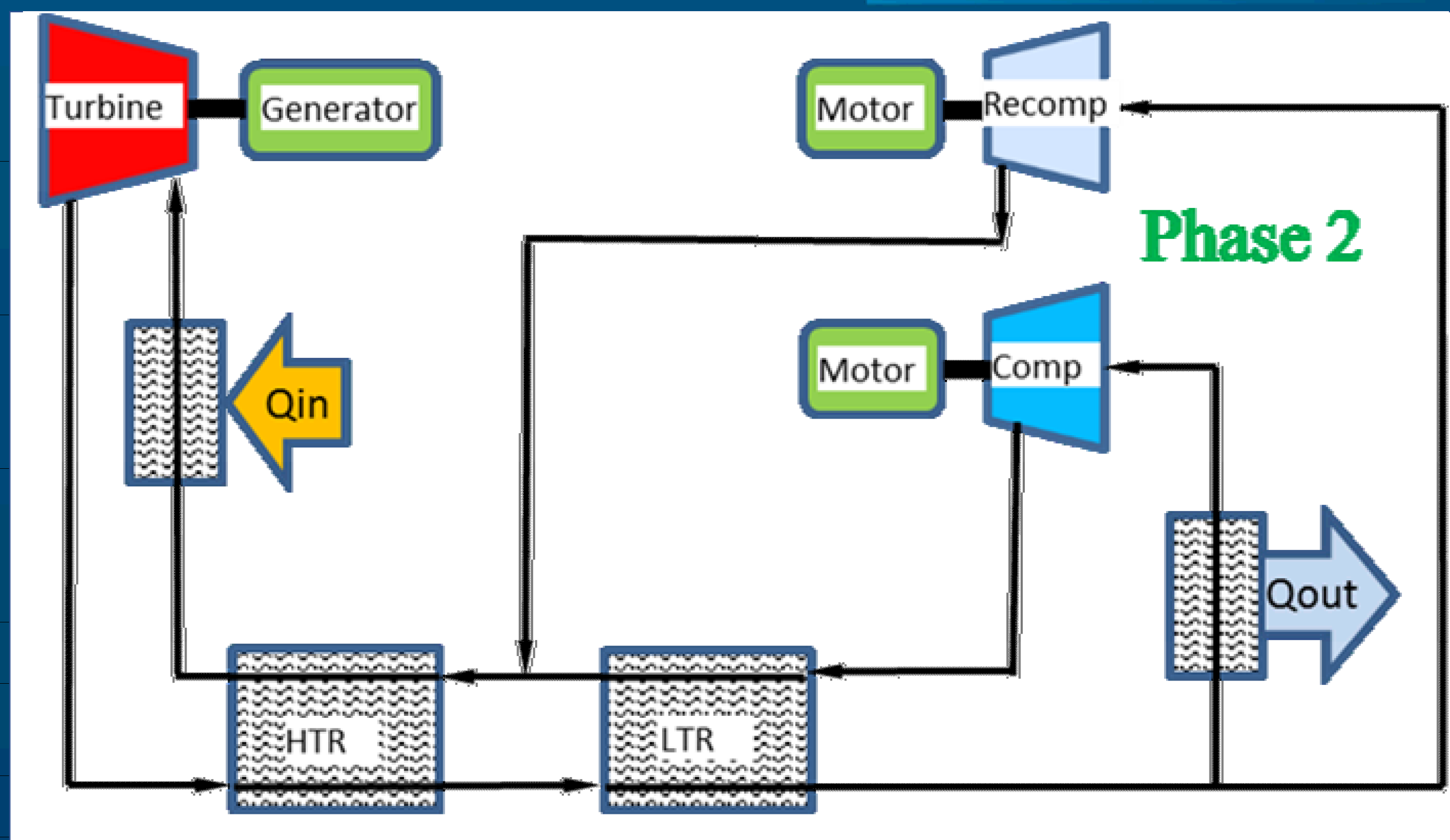


sCO₂ POWER CYCLE DEVELOPMENT

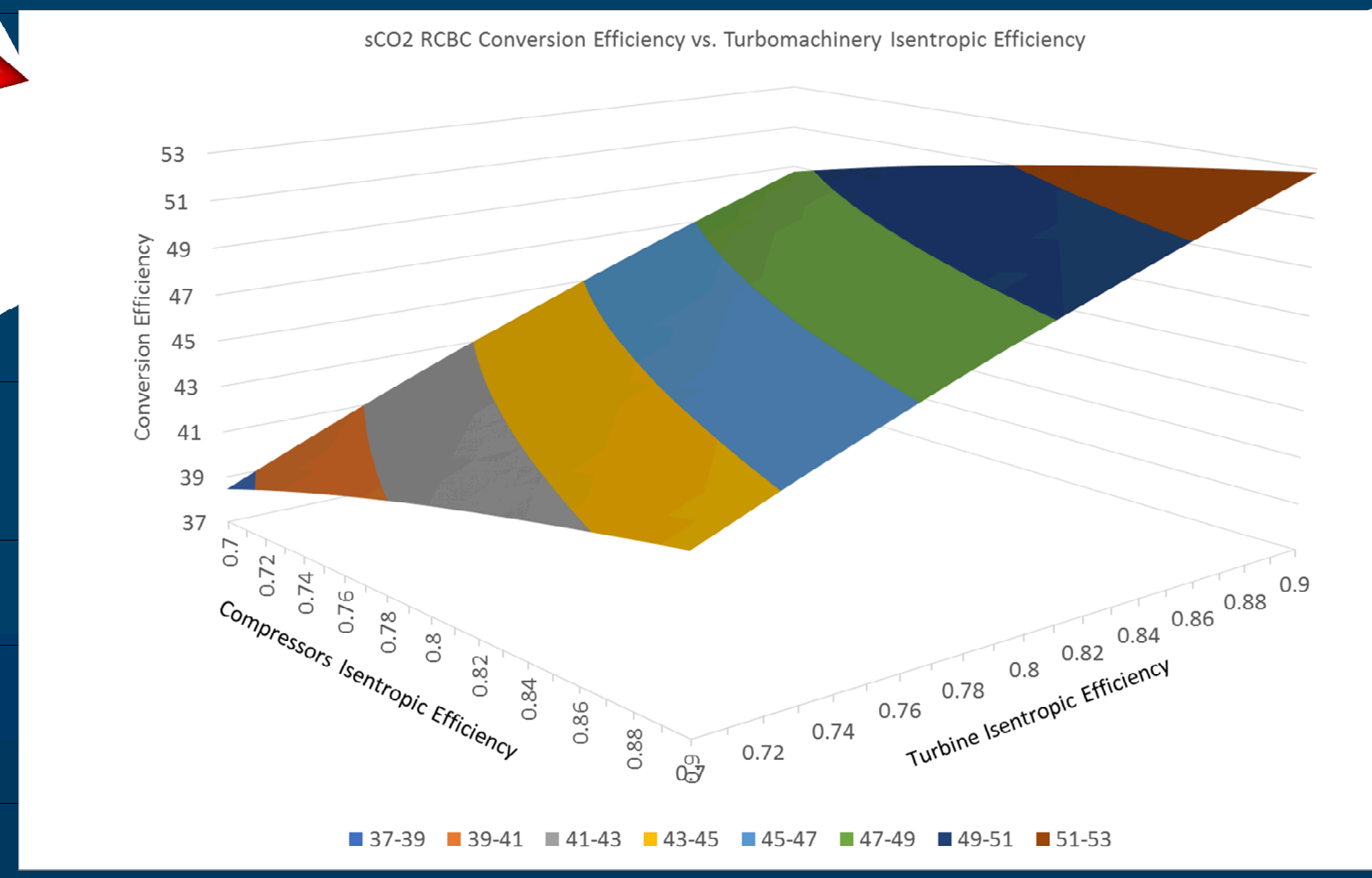
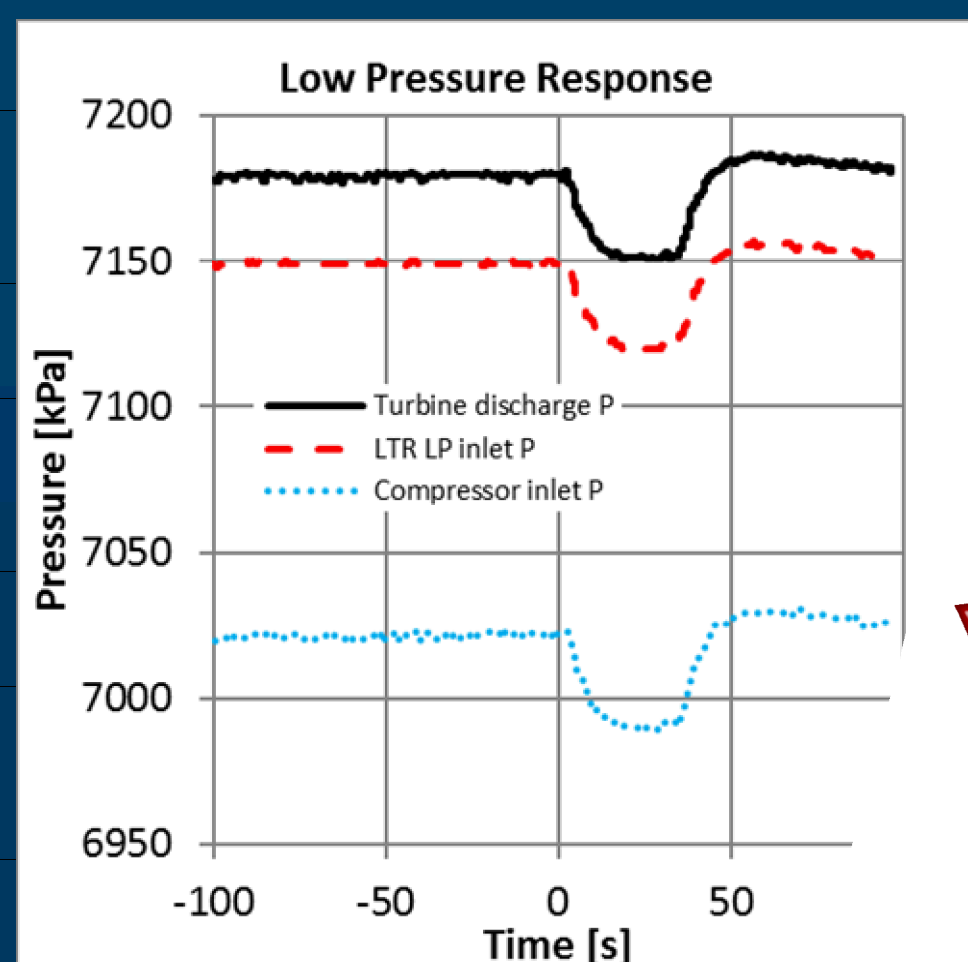
Redesign of RCBC development platform for reliable R&D



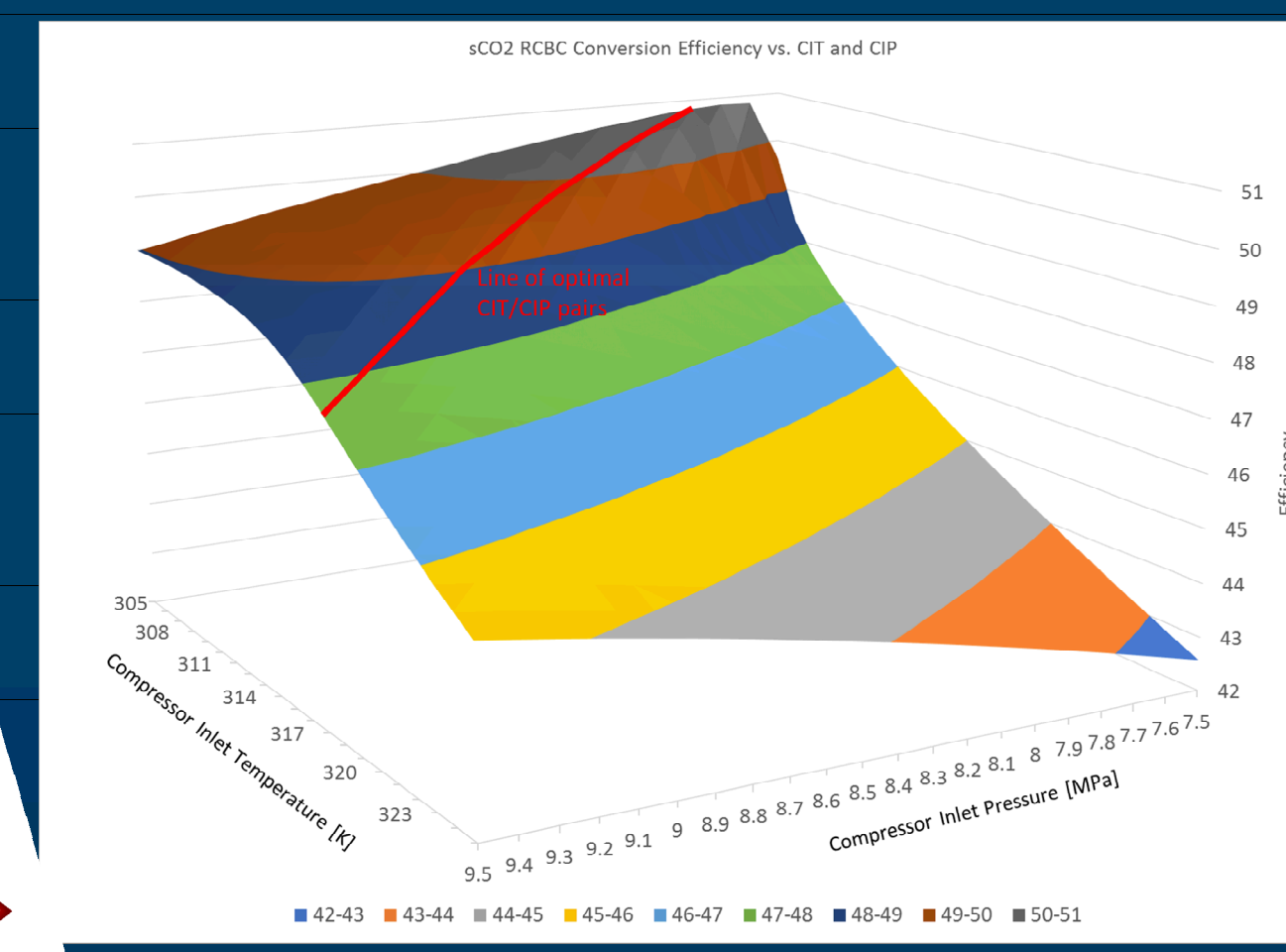
Many avenues of sCO₂ CBC advancement at the NESL/Brayton Lab



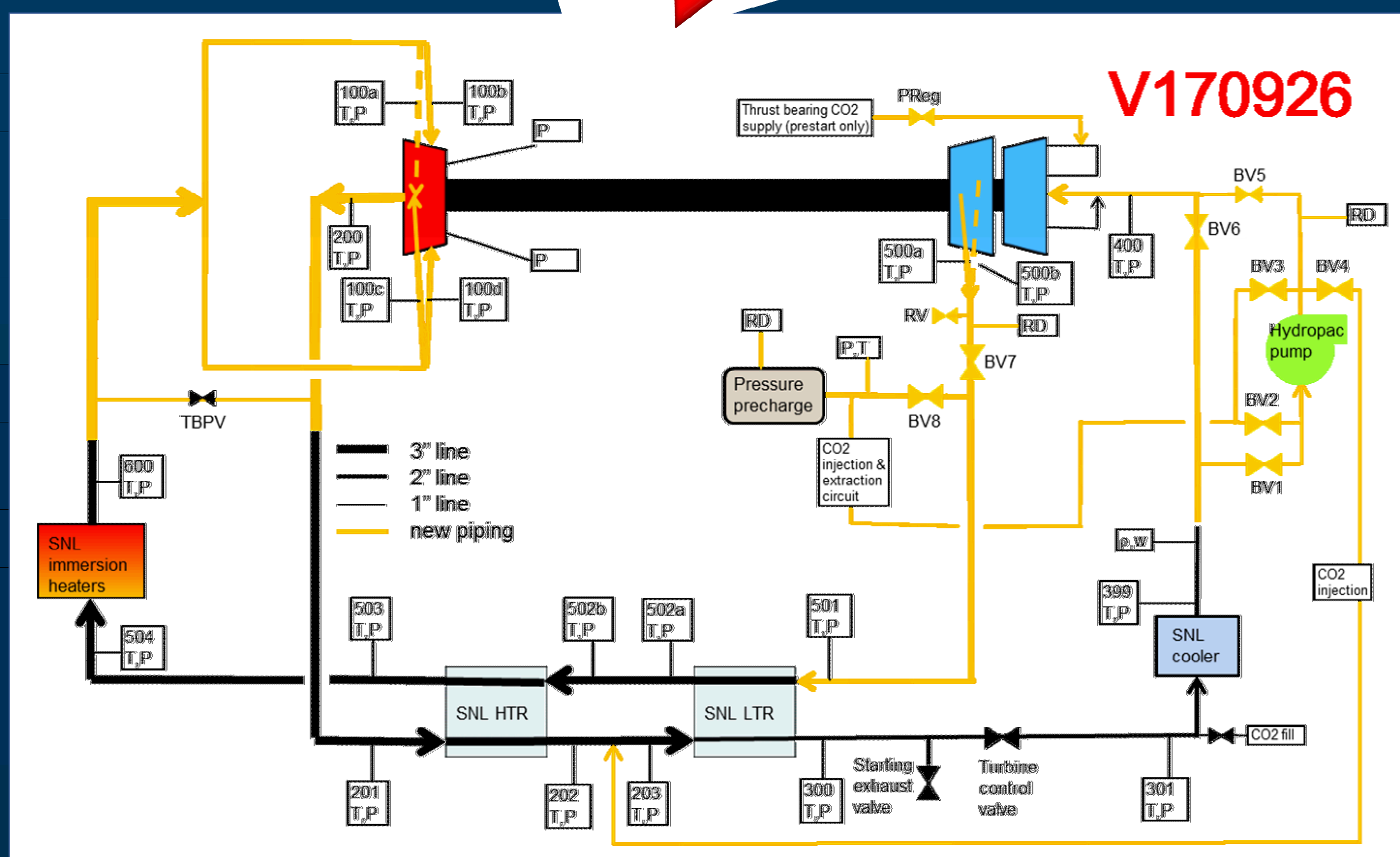
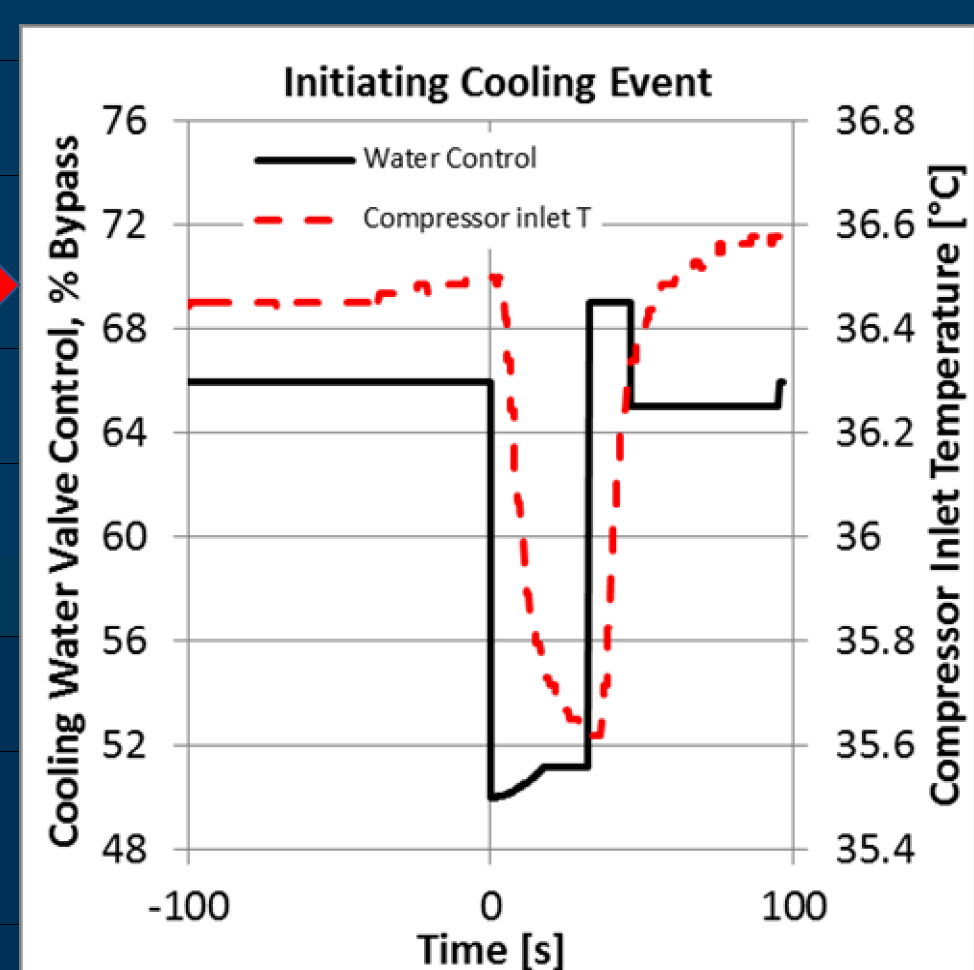
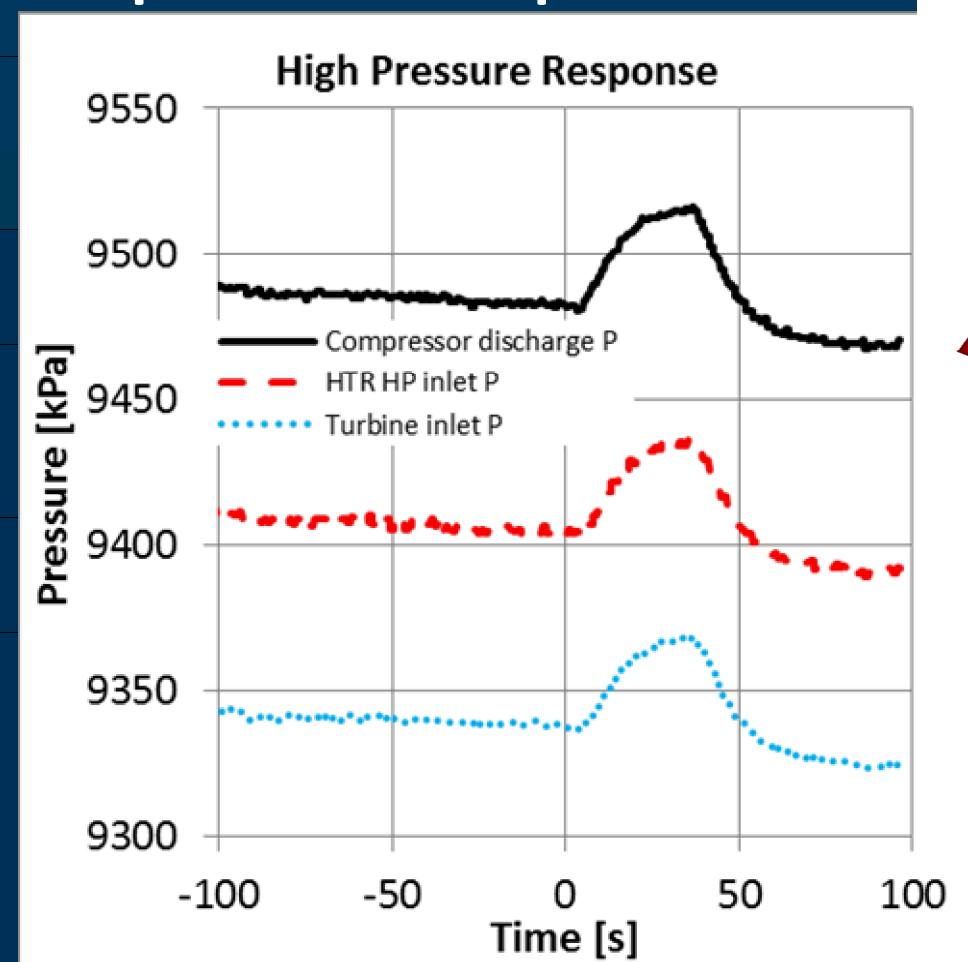
Demonstration of turbomachinery performance



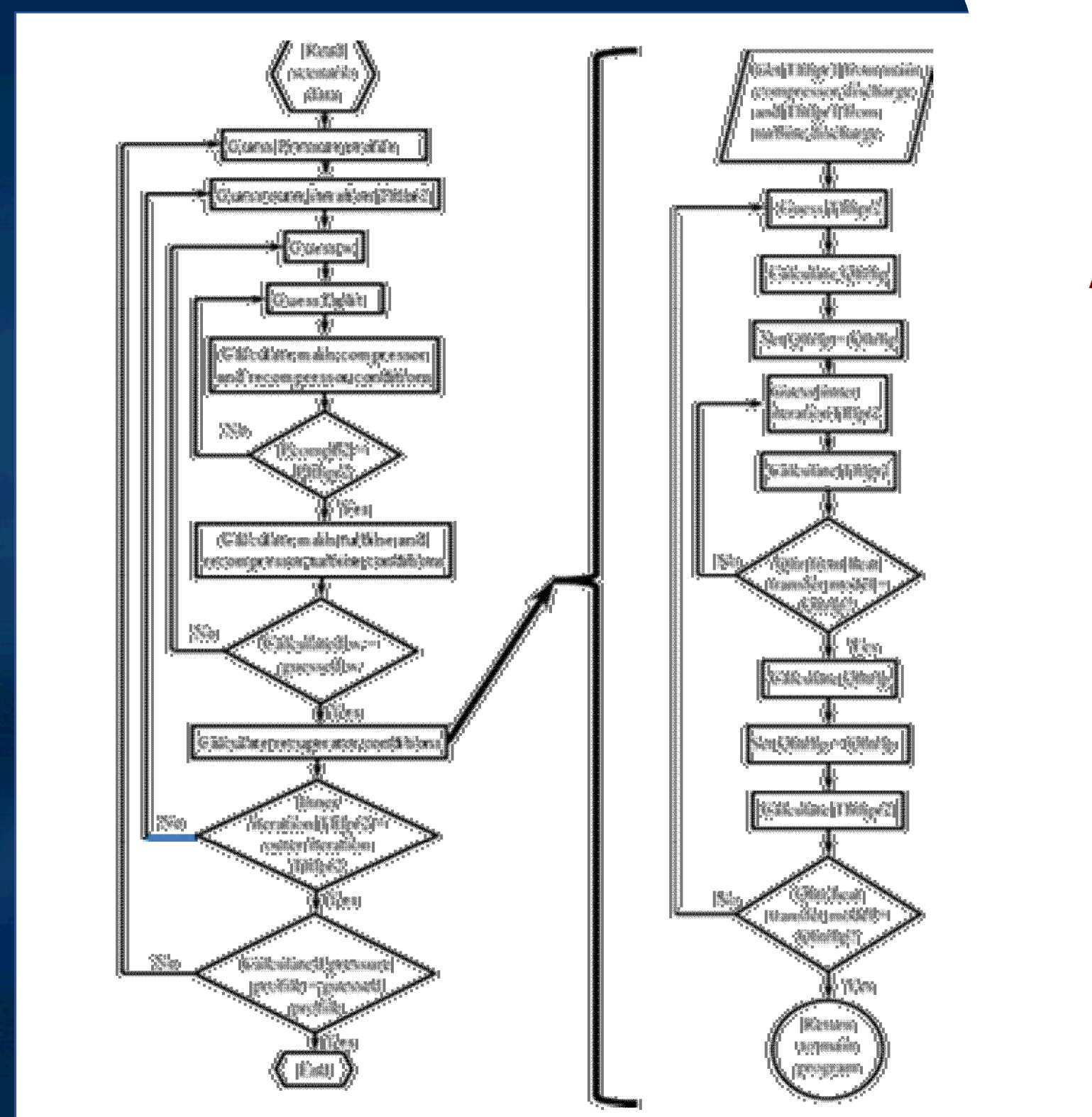
Multidimensional trade studies using RETS©



Investigation of system response to perturbations



Development of RCBC optimization and control algorithms. Patent #9,562,471



Next generation turbomachinery for high performance RCBC demonstration through collaboration with industry

