

Exceptional service in the national interest



energy.sandia.gov



Novel High Energy Density Dielectrics for Scalable Capacitors

September 27, 2016

Harlan Brown-Shaklee, PhD



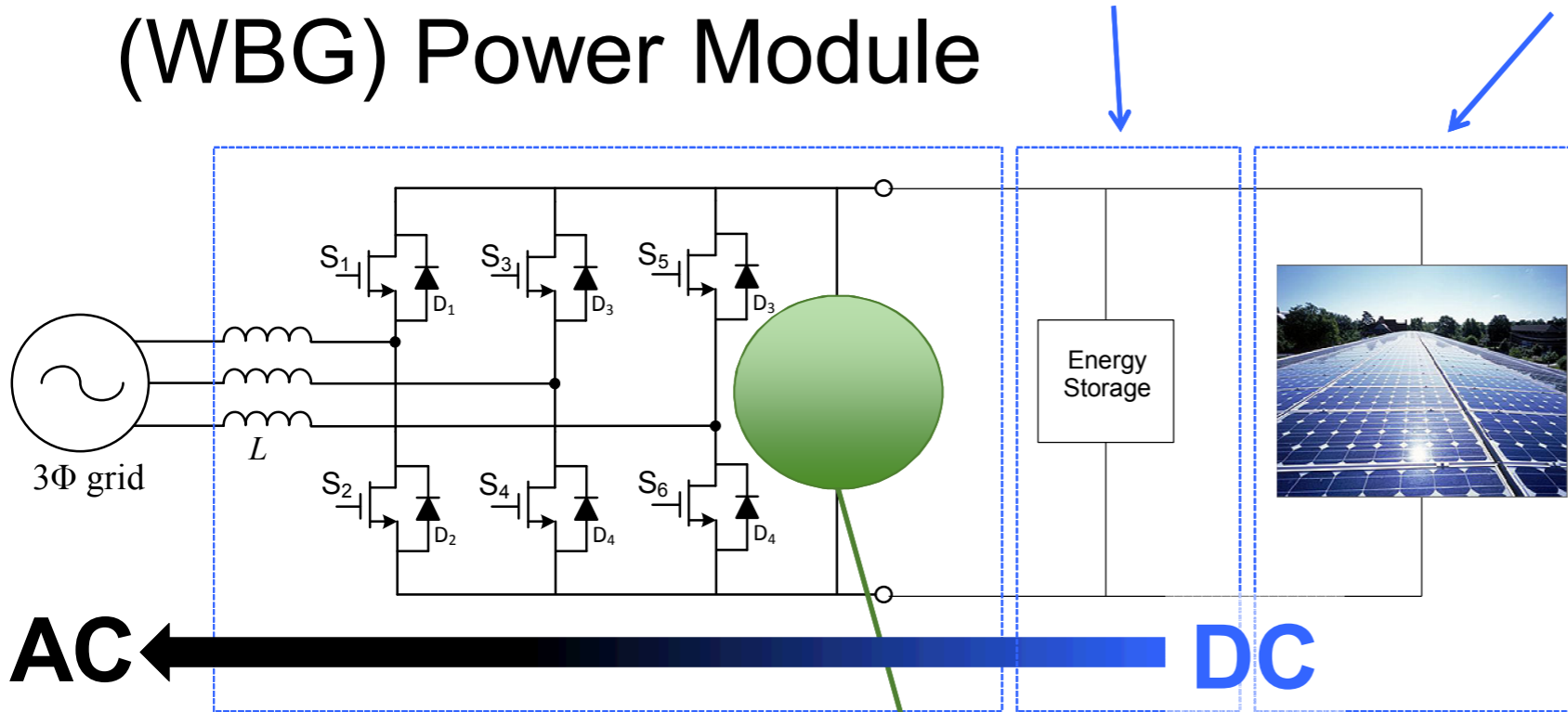
Sandia National Laboratories is a multi-mission laboratory managed and operated by Sandia Corporation, a wholly owned subsidiary of Lockheed Martin Corporation, for the U.S. Department of Energy's National Nuclear Security Administration under contract DE-AC04-94AL85000

We are focusing on reliable passive components for inverter modules

Wide Band Gap (WBG) Power Module

Firming Renewables

GOAL



New capacitors are required to meet operation targets of WBG modules

SiC and GaN based power modules operate $T > 200^\circ\text{C}$ and $> 20\text{kHz}$
GOAL $f > 1\text{MHz}$

